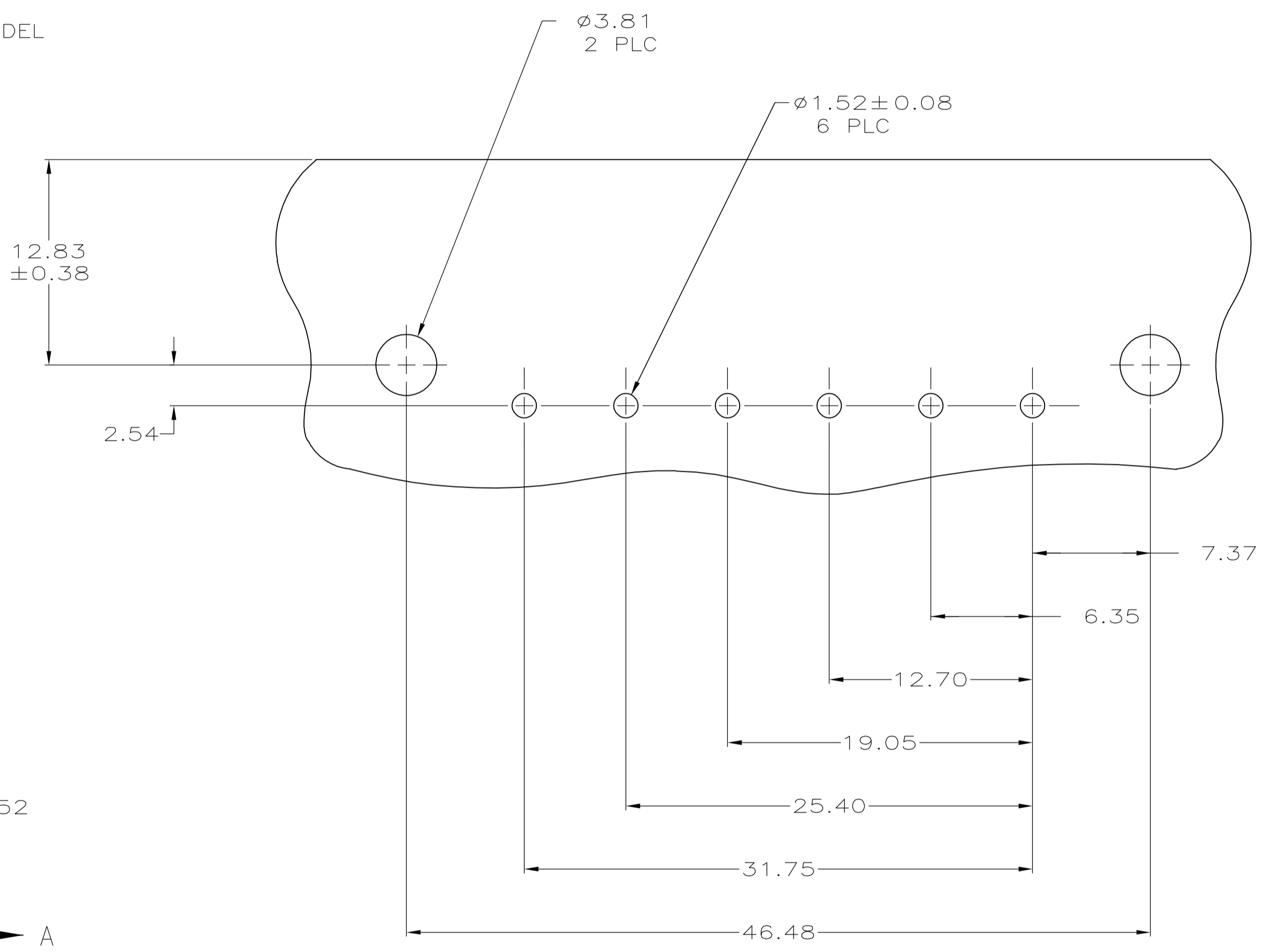
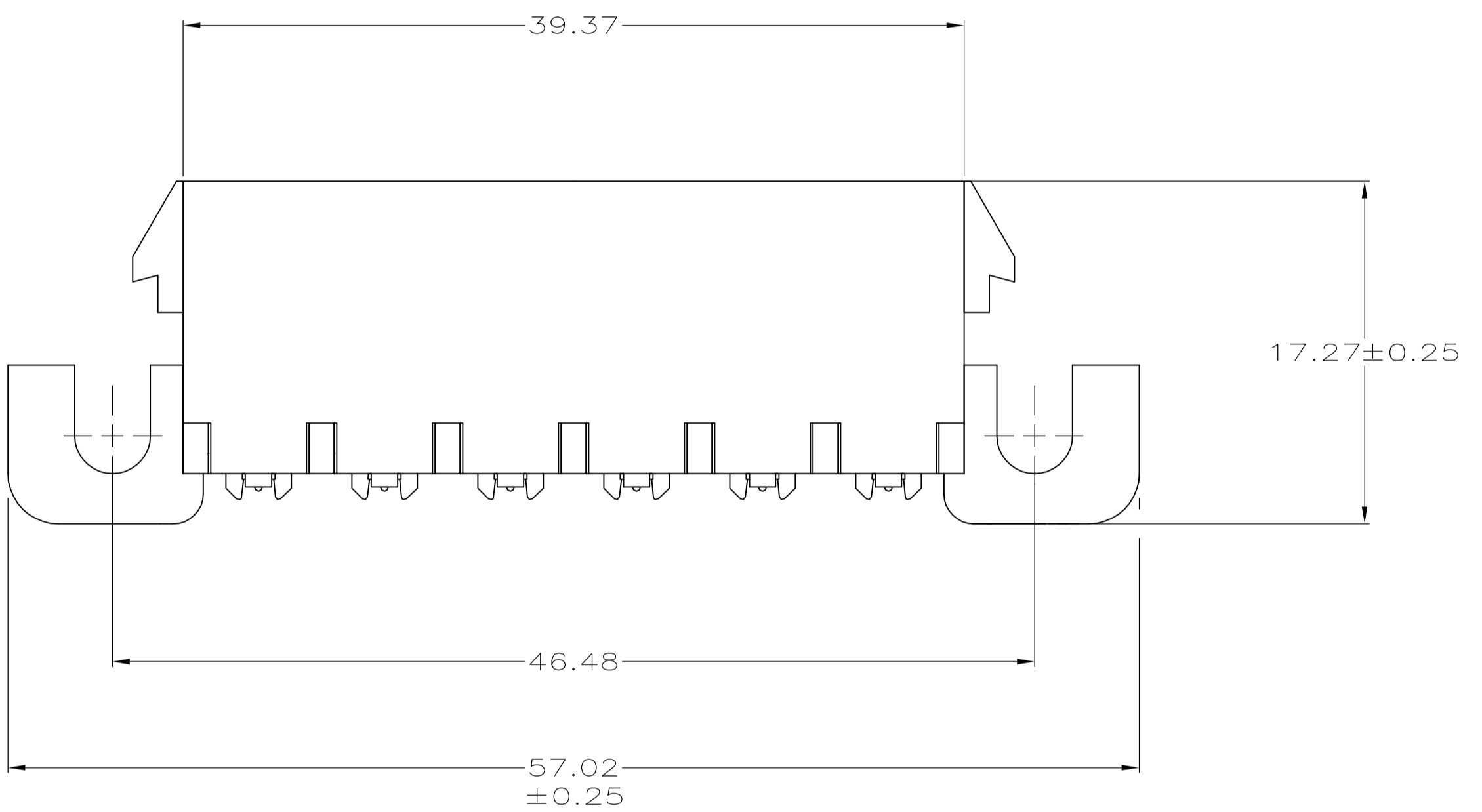
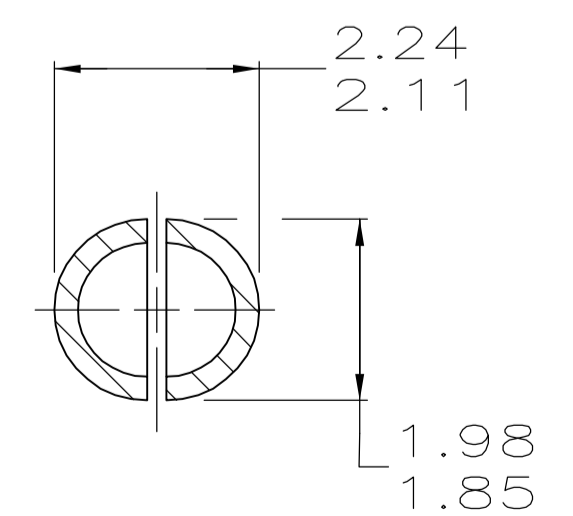
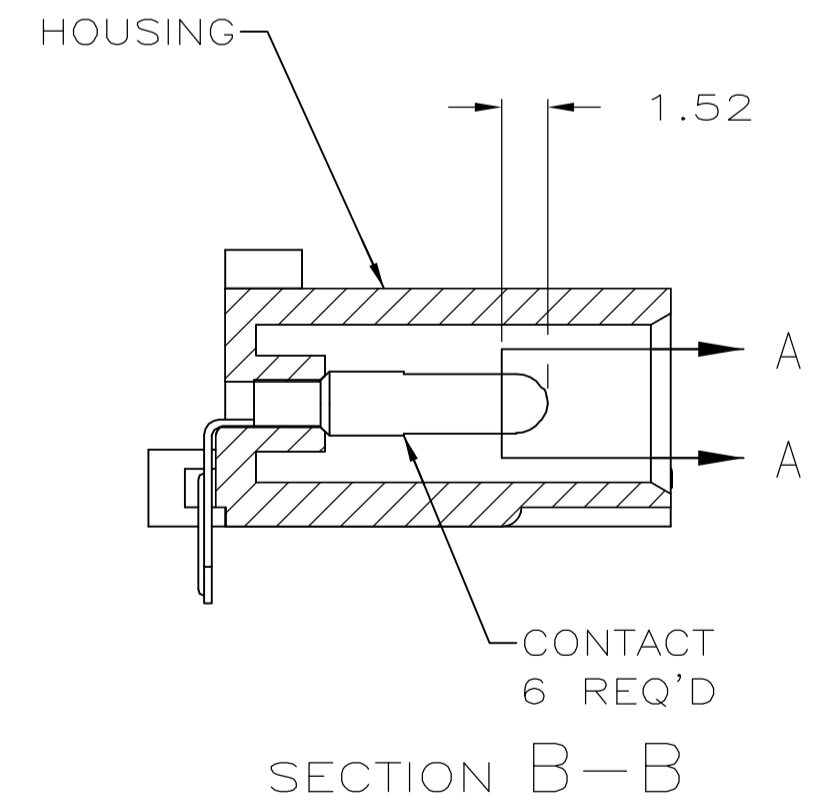
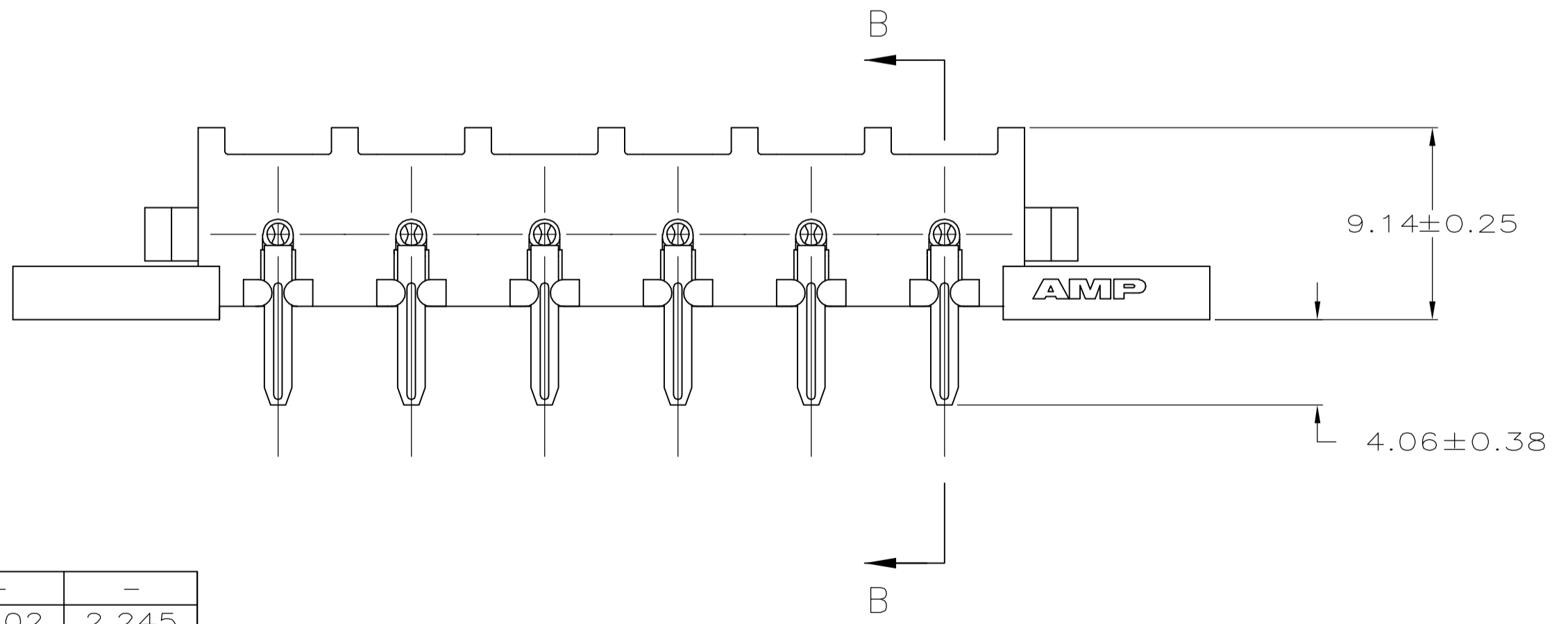


- PARTS COMPLY WITH AMP SOLDERABILITY SPECIFICATION 109-11-5.
- CIRCUIT IDENTIFICATION CHARACTERS ARE ADJACENT TO THE INDICATED CAVITIES, BUT LOCATION AND ORIENTATION MAY DIFFER FROM PRINT.
- OPTIONAL CONSTRUCTION MAY DELETE THIS RIB.

3-DIMENSIONAL MODEL
NTS



RECOMMENDED MOUNTING HOLE PATTERN
FOR 1.57 THICK P.C. BOARD



SECTION A-A
SCALE 10:1

4.06	.160	-	-
3.81	.150	57.02	2.245
2.54	.100	46.48	1.830
2.24	.088	39.37	1.550
2.11	.083	31.75	1.250
1.98	.078	25.40	1.000
1.85	.073	19.05	.750
1.57	.062	17.27	.680
1.52	.060	12.83	.505
0.38	.015	12.70	.500
0.25	.010	9.14	.360
0.13	.005	7.37	.290
0.08	.003	6.35	.250
MM	IN	MM	IN

CONVERSION TABLE

METRIC

THIS DRAWING IS A CONTROLLED DOCUMENT.

DIMENSIONS:	TOLERANCES UNLESS OTHERWISE SPECIFIED:	DWN	22JULY2005		Tyco Electronics Corporation
mm	0 PLC ± - 1 PLC ± - 2 PLC ± 0.13 3 PLC ± - 4 PLC ± - ANGLES ± -	CHK	22JULY2005		Harrisburg, Pa 17105-3608
SEE TABLE	FINISH	APVD	22JULY2005	NAME	PIN HEADER ASSEMBLY, RIGHT ANGLE MOUNT, 6 POSITION, UNIVERSAL MATE-N-LOK
		WEIGHT		SIZE	SCALE
				A1	4:1
				00779	SHEET 1 OF 1
				640587	REV M